

■ Start up the system

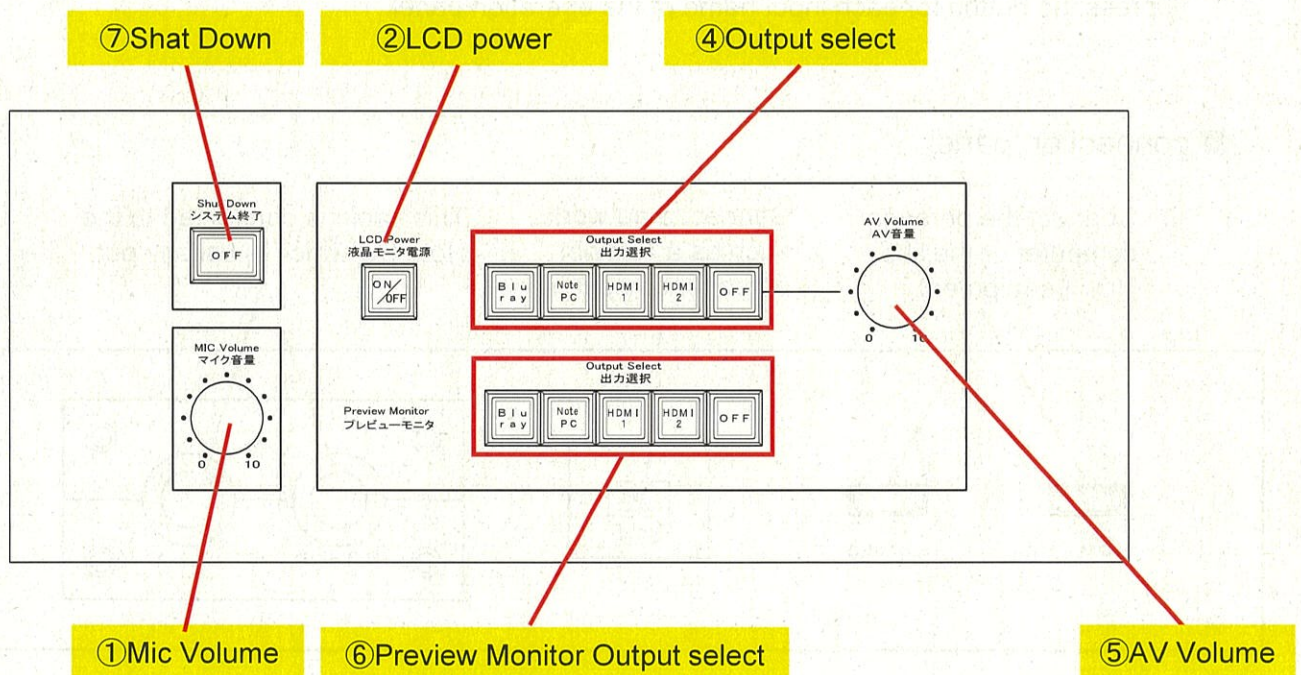
Touch your IC card to the reader.
 ⇒ You can use the wireless Microphone system.

■ To use a wireless microphone

Open the door of the console, please take out the wireless microphone.
 Please volume is adjusted by ① **MIC VOL** of the operation panel.

After wireless microphone use, so that the **CHARGE LED** of the charger is turned on, plug the microphone.

■ Control panel



■ How to operate

ex.) If you want to send the OHC (Over Head Camera) image to the left projector.

- ② Press the left **LCD POWER** button.
- ④ Pressing the **OHC** button on the left projector output selection.

ex.) If you want to send the Blu-ray to the right projector

- ② Press the right **LCD POWER** button.
- ④ Pressing the **Blu-ray** button on the left projector output selection.
- ⑤ Volume is adjusted by the **AV VOL**

ex.) When sending an HDMI output PC, document camera, etc.

Connect to **HDMI1** · **HDMI2** connection port of the following connection panel,
press the button for each input name of the operation panel.

HDMI terminal will be able to send voice at the same time.

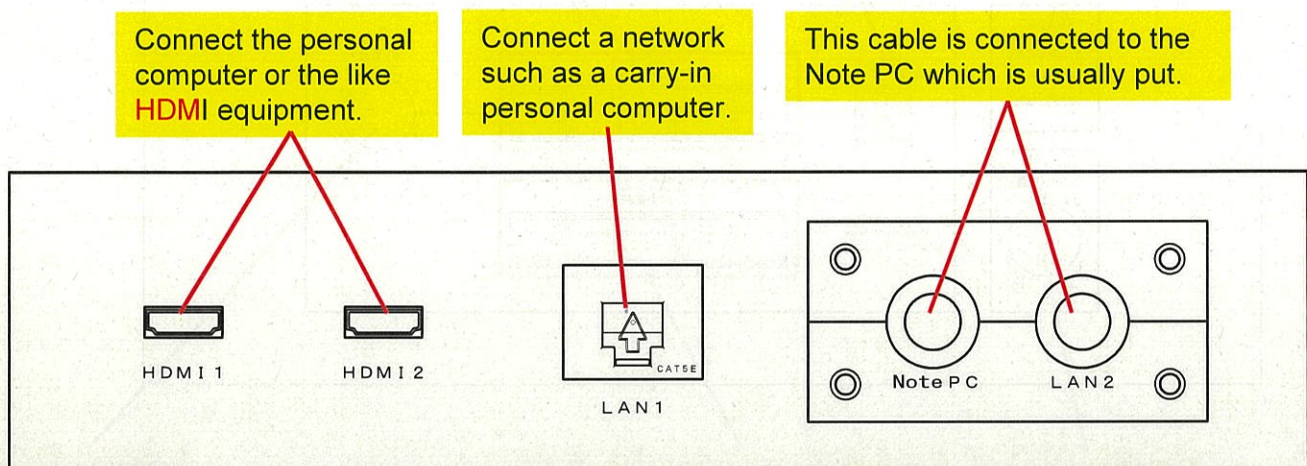
(Depending on the setting of the personal computer side)

ex.) When displaying the image of the Document camera of HDMI output with the preview monitor.

Connect the document camera to the connection port of **HDMI 1** · **HDMI 2** on the connection panel below,

⑥ press the button for each input name of the operation panel.

■ connection panel



■ If you want to end

If you are finished using the projector

② Press the **LCD POWER** button, turn off the power to the projector.

※ After use, each media used should be taken out in advance. (Blu-Ray)

⑧ You press a **Shut Down button** and close each door, please.

A power supply will become off few seconds later.

(Even if the LCD is on, the LCD turns off.)