

System start / System OFF

System Start-Up

It holds your IC card over the IC card reader.



System OFF

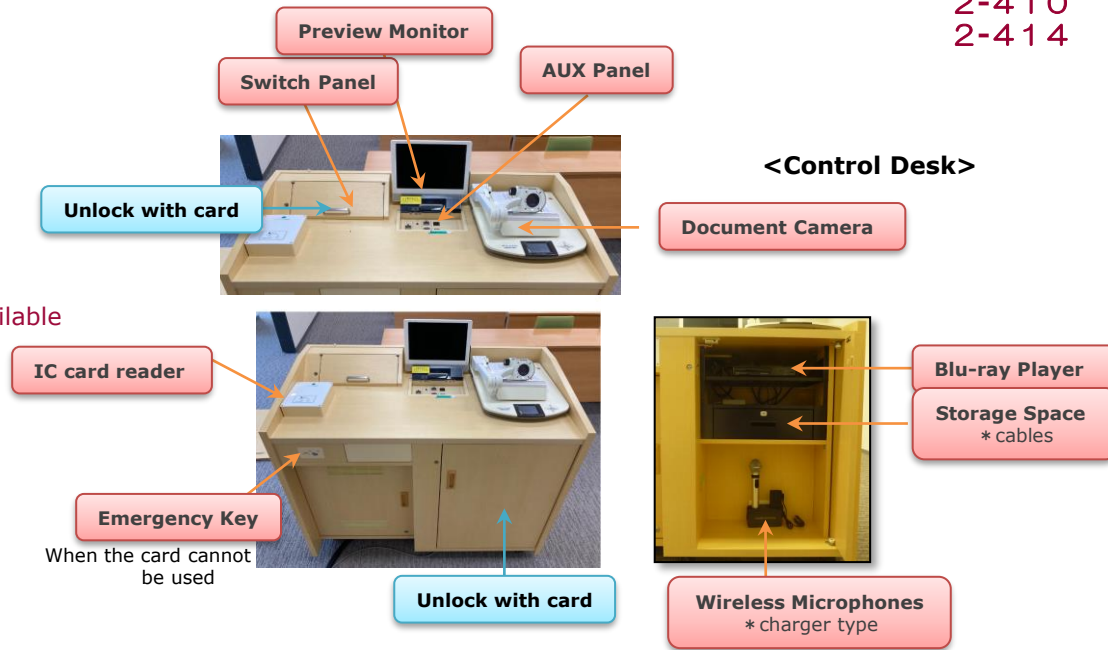
Its presses "OFF" button on the switch panel to shut down the system.



<Switch panel>

After it presses "OFF" on its panel, the projector power button flashes while cooling the projector lamp . The light will turn off after cooling is complete.

! Remember to remove Disks and store Microphones before shutting down the system. It will automatically lock when you close the door.



To use wireless microphone

It takes in the wireless microphone from the door on the right, and can use it by turning the switch on the mics body to "ON". Its volume can be adjusted with "MIC VOL" on the switch panel.

After using the microphone, turn off the power to the microphone and place it in the charger and check of the charging indicator.

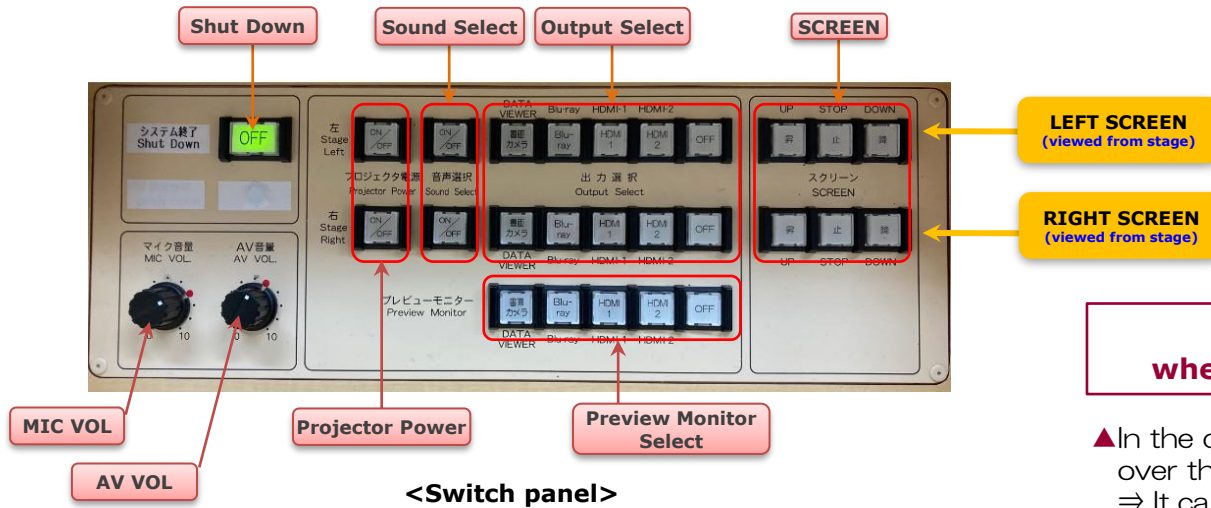


<Switch Panel>



< Charger top >

AV Presentation



<Switch panel>

Troubleshooting when System start / System OFF

▲ In the case of not working the system when it holds its IC card over the IC card reader,
⇒ It can use "the emergency key" to start the system.



<Emergency Key.>

* It would be needed of using "the emergency key" to shut down the system in the case of starting the system from having used "the emergency key" .

It press **Projector Power** button and **DOWN** button of the SCREEN.
* **Output Select** buttons are not available until the light stops blinking.

Select the **Output Source** (*It can select Video output to SCREEN)
* "OFF" is to temporarily hide the image of the SCREEN.

It selects and pushes on the "Sound select" of Stage Left or Stage Right.
* As default, the audio will be synchronized with video source selected first.

It can adjust **MIC VOL** and **AV VOL** on switch panel.



<Front Image>